

+ VERSATILITY

- Adjustable pulse duration: marking on all types of materials
- Surface or hollow marking
- 1D or 2D codes (Data Matrix) marking
- Images or vector logos marking

+ ROBUSTNESS AND RELIABILITY

- Long-life components ($\geq 100\ 000$ h)
- Suitable for intensive use in industrial environments
- Reduced maintenance
- Proven technology, 2 years warranty

+ EASE OF USE AND INTEGRATION

- Small size
- Built-in communication cards and memory
- No PC required to operate on the line

+ HIGH MARKING QUALITY

- SIC Marking fiber laser
- Multi applications (metals, plastics...)
- Decorative marking

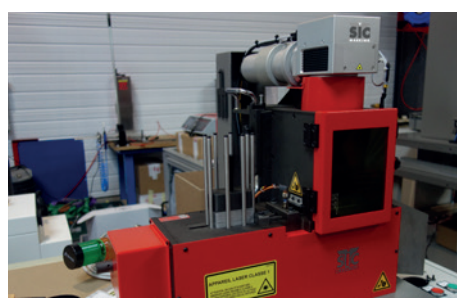


**HIGH CONTRAST
MARKING**

LASER MARKING EXAMPLES

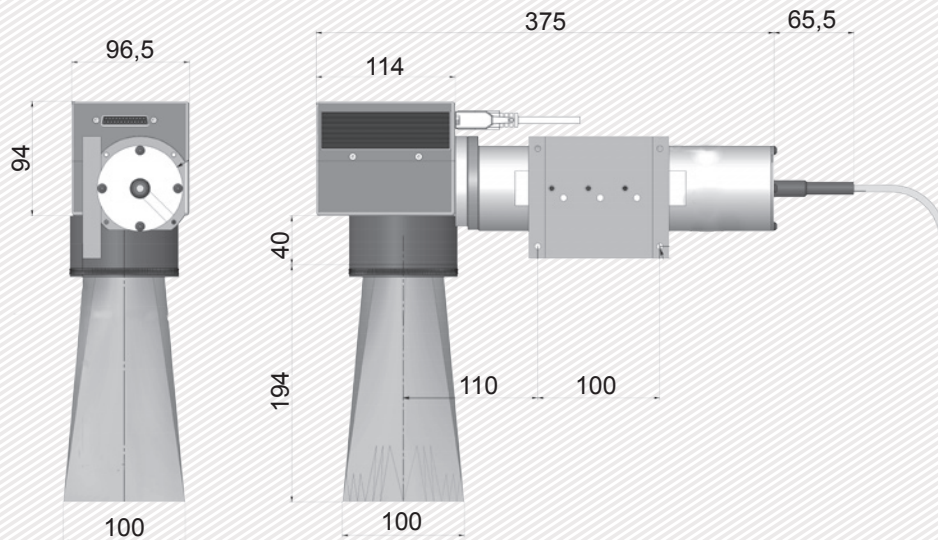


APPLICATIONS



MECHANICAL FEATURES

i103 HD	
Marking window	<input type="checkbox"/> 60 mm <input type="checkbox"/> 100 mm <input type="checkbox"/> 170 mm (others consult us)
Weight	Control unit: 19 kg - Marking head: 5kg
Consumption	750W
Security	Class 4 Laser (EN60825-1 standard) to secure
Software	SIC laser ADVANCED
Pulse duration	from 2 ns to 200 ns



FIBER UNIT CONTROLLER



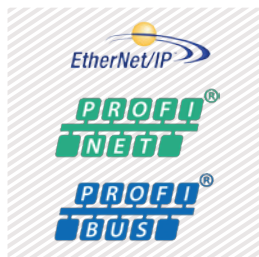
- + Control of digital axis (linear or rotating)
- + Laser driven by «SIC LASER» software
- + USB interface, Windows environment

- Operating method: pulsed (variable frequency)
- Consumption: 750 W
- Wavelength: 1 064 nm
- Average power: 20 W (other, please contact us)
- Peak power: 10 kW
- Cooling: air only
- Warranty: 2 year

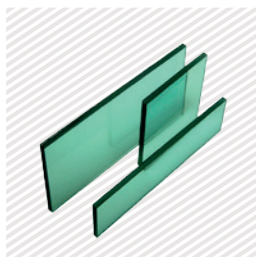
OPTIONS



Extraction and filtration systems



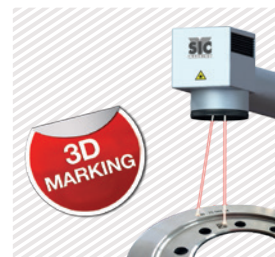
Communication cards



Protective glass



Integrated vision system



Multi-level marking